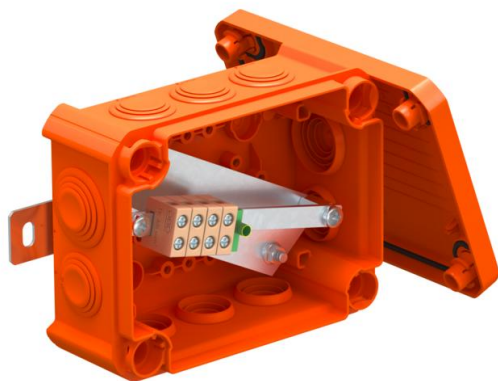


Technical data sheet

FireBox T100, with plug-in seals, for data technology

Item number: 7205764



Connection box for data technology with soft plug-in seals. Pairs of high-temperature-resistant ceramic terminals, suitable for data cables. Green-yellow labeled protective conductor/shield terminal. Fastening on easily accessible external flaps. Approved for cable systems that maintain the electrical function according to DIN 4102 Part 12 with the classes E30, E60 and E90. Ceramic clamps have been tested according to DIN EN 60998-2-1:2004.

Including 2x MMSplus P 6x35 screw ties.



PP Polypropylene

Master data

| | |
|---------------------|--------------------------|
| Item number | 7205764 |
| Type | T100ED 4x4AD |
| Description 1 | Junction box |
| Description 2 | for function maintenance |
| Manufacturer | OBO |
| Dimension | 150x116x67 |
| Colour | Pastel orange; RAL 2003 |
| Material | Polypropylene |
| Smallest sales unit | 1 |
| Unit of quantity | Piece |
| Weight | 41.69 kg |
| Weight unit | kg/100 pc. |

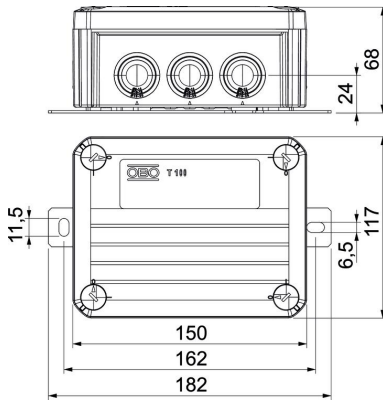
Technical data sheet

FireBox T100, with plug-in seals, for data technology

Item number: 7205764



Dimensions



| | |
|--------------|--------|
| Length | 150 mm |
| Width | 116 mm |
| Height | 68 mm |
| Dimension B | 116 mm |
| Dimension H | 68 mm |
| Dimension L | 150 mm |
| Dimension L1 | 162 mm |
| Dimension L2 | 182 mm |

Technical data

| | |
|-------------------------------|---------------------------|
| Expandable | no |
| No. of entries | 10 |
| Number of terminals | 5 |
| Type of housing penetration | Cuttable stepped membrane |
| Equipment | Terminal |
| Cover | Not transparent |
| Cover fastening | Screwed |
| Entry from rear | no |
| Entries | 8 x M252 x M32 |
| Explosion-tested version | no |
| Shape | Rectangular |
| Maintain electrical functions | E 90 |
| For Ex zone | Without |
| For Ex zone gas | Without |
| For Ex zone dust | Without |
| Halogen-free | yes |
| Clear internal dimensions | 136x102x57 mm |
| With screening | no |
| with lid | yes |
| Nominal cross-section, max. | 4 mm ² |
| Nominal cross-section, min. | 0.5 mm ² |
| Nominal voltage | 660 V |
| Sealable | no |
| Impact-resistant | no |
| Protection rating | IP66 |
| Weatherproof | no |