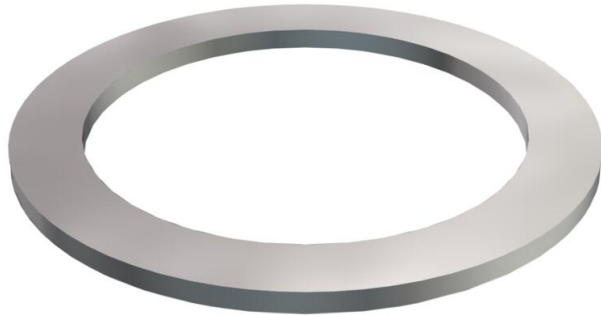


Technical data sheet

Pressure ring, PG thread

Item number: 2027070



Pressure ring, Part 7, to DIN 46320, suitable for plastic and brass glands to DIN 46320.

Pg

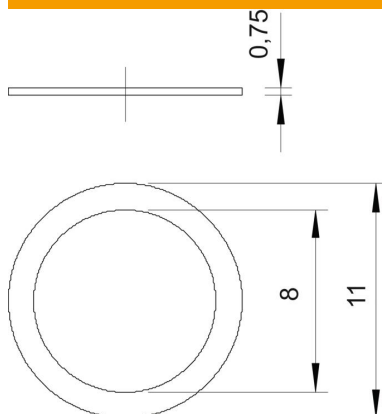
St Steel

GTP Electrogalvanized, transparently passivated

Master data

Item number	2027070
Type	107 D PG7 GTP
Description 1	Pressure ring
Manufacturer	OBO
Dimension	PG7
Material	Steel
Surface	Electrogalvanised, transparently passivated
Surface standard	
Smallest sales unit	100
Unit of quantity	Units
Weight	0,025 kg
Weight unit	kg/100 pairs
CO2 Footprint (GWP) Cradle-to-Gate	0,0025 kg CO2e / 1 Piece

Dimensions



Dimension D1	11 mm
Dimension D2	8 mm

Technical data sheet

Pressure ring, PG thread

Item number: 2027070



Technical specifications

Version for	Miscellaneous
Screw for PG thread dimension	7
Inner diameter	8 mm