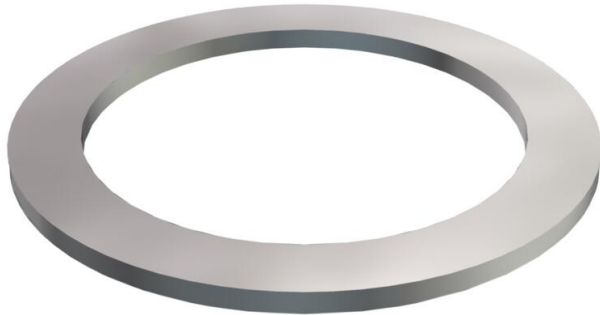


# Technical data sheet

## Pressure ring, PG thread

Item number: 2027119



Pressure ring, Part 7, to DIN 46320, suitable for plastic and brass glands to DIN 46320.

Pg

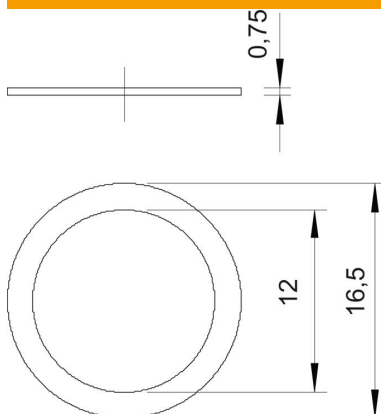
St Steel

GTP Electrogalvanized, transparently passivated

### Master data

Item number	2027119
Type	107 D PG11 GTP
Description 1	Pressure ring
Manufacturer	OBO
Dimension	PG11
Material	Steel
Surface	Electrogalvanised, transparently passivated
Surface standard	
Smallest sales unit	100
Unit of quantity	Units
Weight	0,052 kg
Weight unit	kg/100 pairs
CO2 Footprint (GWP) Cradle-to-Gate	0,0039 kg CO2e / 1 Piece

### Dimensions



Dimension D1	16,5 mm
Dimension D2	12 mm

# Technical data sheet

Pressure ring, PG thread

Item number: 2027119



## Technical specifications

Version for	Miscellaneous
Screw for PG thread dimension	11
Inner diameter	12 mm