

Technical data sheet

Adapter PG-M

Item number: 2031467



Adapter for converting a Pg threaded drill hole to a metric threaded drill hole.



PA Polyamide

Master data

Item number	2031467
Type	107 ADA PG11-M16
Description 1	Adapter
Description 2	PG - M
Manufacturer	OBO
Dimension	PG11-M16
Colour	Light grey; RAL 7035
Material	Polyamide
Smallest sales unit	20
Unit of quantity	Units
Weight	0,41 kg
Weight unit	kg/100 pairs
CO2 Footprint (GWP) Cradle-to-Gate	0,0227 kg CO2e / 1 Piece

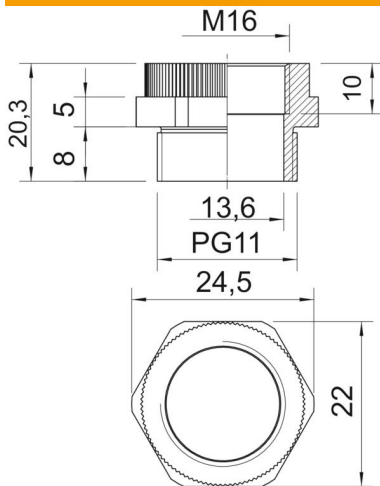
Technical data sheet

Adapter PG-M

Item number: 2031467



Dimensions



Dimension D	13,6 mm
Dimension E	24,5 mm
Dimension L	20,3 mm
Dimension L1	8 mm
Dimension L2	5 mm
Dimension L3	10 mm

Technical specifications

explosion-proof	no
Thread type: External thread	Pg
Thread type: Internal thread	Metric
Thread dimension, metric, internal	16
Thread dimension, PG, external	11
WAF	22
Nickel-plated	no