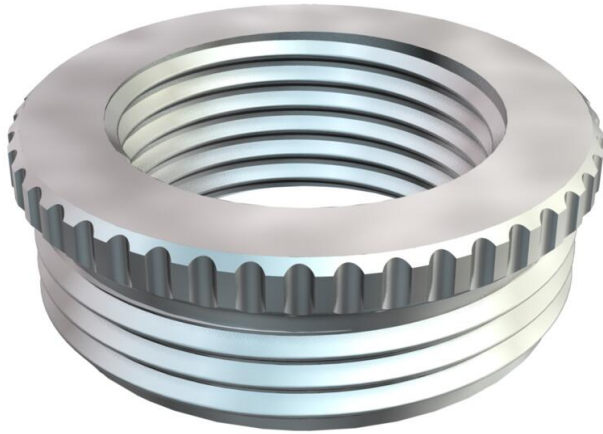


Technical data sheet

Reduction, PG thread

Item number: 2089203



Reduction (Part H) to DIN 46320, with Pg thread to DIN 40430, as a transition from a PG thread hole to a smaller cable gland.

* Prices according to DEL notation.



CuZn
37 Brass

N Nickel-plated

Master data

| | |
|------------------------------------|--------------------------|
| Item number | 2089203 |
| Type | 167 R MS PG16-13 |
| Description 1 | Reduction |
| Manufacturer | OBO |
| Dimension | PG16-PG13,5 |
| Material | Brass |
| Surface | Nickel-plated |
| Surface standard | |
| Smallest sales unit | 50 |
| Unit of quantity | Units |
| Weight | 0,656 kg |
| Weight unit | kg/100 pairs |
| CO2 Footprint (GWP) Cradle-to-Gate | 0,0179 kg CO2e / 1 Piece |

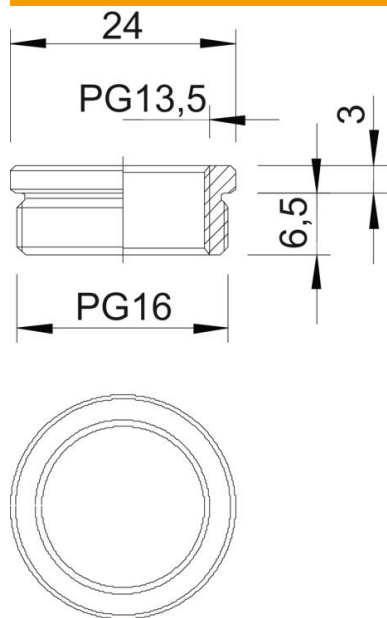
Technical data sheet

Reduction, PG thread

Item number: 2089203



Dimensions



| | |
|--------------|--------|
| Dimension D | 24 mm |
| Dimension L1 | 6,5 mm |
| Dimension L2 | 3 mm |

Technical specifications

| | |
|--------------------------------|--------|
| explosion-proof | no |
| Thread type: External thread | Pg |
| Thread type: Internal thread | Pg |
| Thread length | 6,5 mm |
| Thread dimension, PG, external | 16 |
| Thread dimension, PG, internal | 13,5 |
| Nickel-plated | yes |