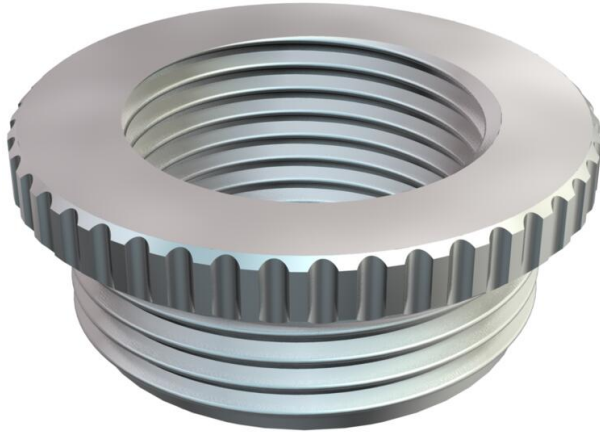


Technical data sheet

Reduction, metric thread

Item number: 2089505



Reduction (Part H) in accordance with DIN 46320, with metric thread to DIN EN 60423 or ISO 68.

* Prices according to DEL notation.



CuZn
37 Brass

N Nickel-plated

Master data

Item number	2089505
Type	167 R MS M16-12
Description 1	Reduction
Manufacturer	OBO
Dimension	M16-M12
Material	Brass
Surface	Nickel-plated
Surface standard	
Smallest sales unit	50
Unit of quantity	Units
Weight	0,88 kg
Weight unit	kg/100 pairs
CO2 Footprint (GWP) Cradle-to-Gate	0,0226 kg CO2e / 1 Piece

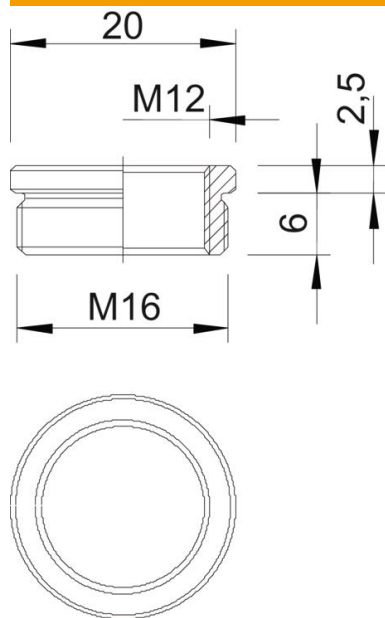
Technical data sheet

Reduction, metric thread

Item number: 2089505



Dimensions



Dimension D	20 mm
Dimension L1	6 mm
Dimension L2	2,5 mm

Technical specifications

explosion-proof	no
Thread type: External thread	Metric
Thread type: Internal thread	Metric
Thread length	6 mm
Thread dimension, metric, external	16
Thread dimension, metric, internal	12
Nickel-plated	yes