

Technical data sheet

Locknut, PG thread

Item number: 2091429



Locknuts, part M to DIN 46320 with Pg thread to DIN 40430. * Price according to DEL notation.



CuZn
37 Brass

N Nickel-plated

Master data

| | |
|------------------------------------|--------------------------|
| Item number | 2091429 |
| Type | 169 MS PG42 |
| Description 1 | Locknut |
| Manufacturer | OBO |
| Dimension | PG42 |
| Material | Brass |
| Surface | Nickel-plated |
| Surface standard | |
| Smallest sales unit | 50 |
| Unit of quantity | Units |
| Weight | 3,266 kg |
| Weight unit | kg/100 pairs |
| CO2 Footprint (GWP) Cradle-to-Gate | 0,0894 kg CO2e / 1 Piece |

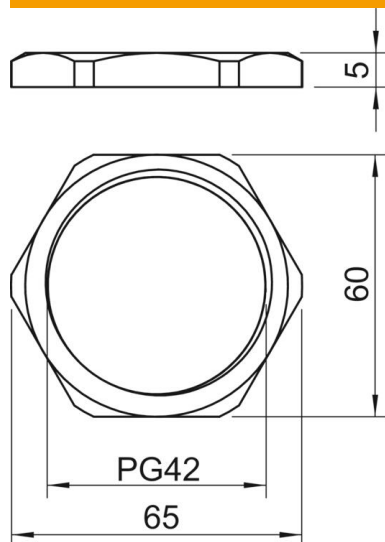
Technical data sheet

Locknut, PG thread

Item number: 2091429



Dimensions



| | |
|-------------|-------|
| Dimension E | 65 mm |
| Dimension L | 5 mm |

Technical specifications

| | |
|-------------------------------|-------|
| Thread | Pg 42 |
| Thread type | Pg |
| Nominal thread size metric/PG | 42 |
| Fibre-glass reinforced | no |
| Halogen-free | no |
| Impact-resistant | no |
| WAF | 60 |