

Technical data sheet

ISO base clip

Item number: 2130114



ISO base clip 9–11 mm



PS Polystyrene

Master data

Item number	2130114
Type	2960 11 M6 LGR
Description 1	ISO base clip
Manufacturer	OBO
Dimension	9-11mm
Colour	Light grey; RAL 7035
Material	Polystyrene
Smallest sales unit	50
Unit of quantity	Units
Weight	0,549 kg
Weight unit	kg/100 pairs
CO2 Footprint (GWP) Cradle-to-Gate	0,0362 kg CO2e / 1 Piece

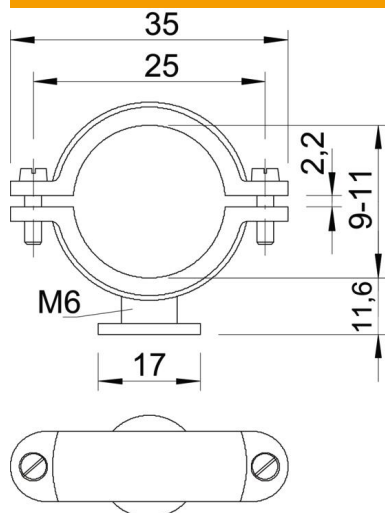
Technical data sheet

ISO base clip

Item number: 2130114



Dimensions



Dimension A	35 mm
Dimension B	25 mm
Dimension d	17 mm
Dimension H	11,6 mm
Dimension x	2,2 mm

Technical specifications

Number of cables/pipes	1
Version for	Closed
Fastening type	Screw hole
Suitable in fire protection area	no
Thread	M6
Size	Pg 9
Halogen-free	yes
Plastic-covered	no
Bolt	M4 x 10
Clamping range D, max.	11 mm
Clamping range D, min.	9 mm
UV-resistant	no