

# Technical data sheet

## ISO base clip

Item number: 2130289



ISO base clip 25.5–28 mm



PS Polystyrene

### Master data

Item number	2130289
Type	2960 28 M6 LGR
Description 1	ISO base clip
Manufacturer	OBO
Dimension	25,5-28mm
Colour	Light grey; RAL 7035
Material	Polystyrene
Smallest sales unit	25
Unit of quantity	Units
Weight	1,341 kg
Weight unit	kg/100 pairs
CO2 Footprint (GWP) Cradle-to-Gate	0,051 kg CO2e / 1 Piece

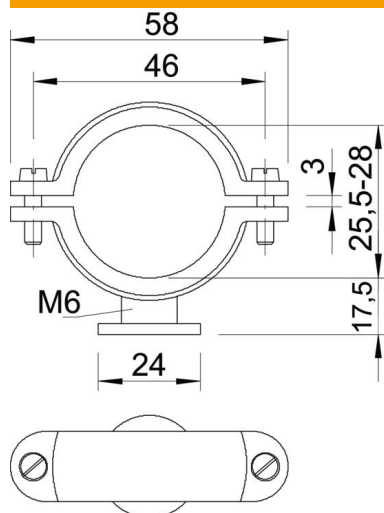
# Technical data sheet

## ISO base clip

Item number: 2130289



### Dimensions



Dimension A	58 mm
Dimension B	46 mm
Dimension d	24 mm
Dimension H	17,5 mm
Dimension x	3 mm

### Technical specifications

Number of cables/pipes	1
Version for	Closed
Fastening type	Screw hole
Suitable in fire protection area	no
Thread	M6
Size	Pg 9
Halogen-free	yes
Plastic-covered	no
Bolt	M5 x 14
Clamping range D, max.	28 mm
Clamping range D, min.	25,5 mm
UV-resistant	no