

# Technical data sheet

## Base clamp clip, single

Item number: 2140101



Can be screwed onto M6 thread.



PP Polypropylene

### Master data

Item number	2140101
Type	2962 10 LGR
Description 1	Base clamp
Manufacturer	OBO
Dimension	10mm
Colour	Light grey; RAL 7035
Material	Polypropylene
Smallest sales unit	100
Unit of quantity	Units
Weight	0,136 kg
Weight unit	kg/100 pairs
CO2 Footprint (GWP) Cradle-to-Gate	0,0074 kg CO2e / 1 Piece

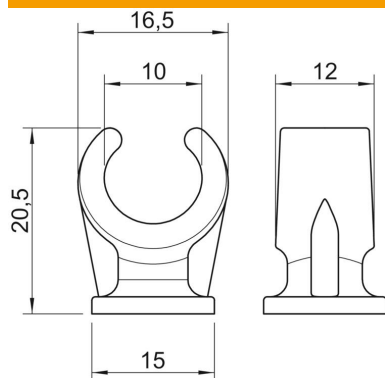
# Technical data sheet

## Base clamp clip, single

Item number: 2140101



### Dimensions



Dimension A	16,5 mm
Dimension B	12 mm
Dimension C	15 mm
Dimension H	20,5 mm

### Technical specifications

Number of cables/pipes	1
Version for	Single-lobe
Fastening type	Threaded connection
Suitable in fire protection area	no
Size	10
Halogen-free	yes
Plastic-covered	no
Nominal diameter	9,6 mm
Clamping range D, max.	10 mm
Clamping range D, min.	10 mm
UV-resistant	no