

Technical data sheet

Base clamp clip, single

Item number: 2140152



Can be screwed onto M6 thread.



PP Polypropylene

Master data

Item number	2140152
Type	2962 15 LGR
Description 1	Base clamp
Manufacturer	OBO
Dimension	14-15mm
Colour	Light grey; RAL 7035
Material	Polypropylene
Smallest sales unit	100
Unit of quantity	Units
Weight	0,277 kg
Weight unit	kg/100 pairs
CO2 Footprint (GWP) Cradle-to-Gate	0,0127 kg CO2e / 1 Piece

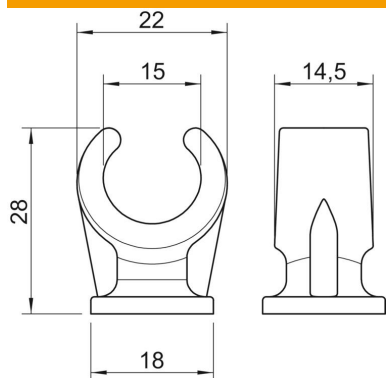
Technical data sheet

Base clamp clip, single

Item number: 2140152



Dimensions



Dimension A	22 mm
Dimension B	14,5 mm
Dimension C	18 mm
Dimension H	28 mm

Technical specifications

Number of cables/pipes	1
Version for	Single-lobe
Fastening type	Threaded connection
Suitable in fire protection area	no
Size	14-15
Halogen-free	yes
Plastic-covered	no
Nominal diameter	14,3 mm
Clamping range D, max.	15 mm
Clamping range D, min.	14 mm
UV-resistant	no